

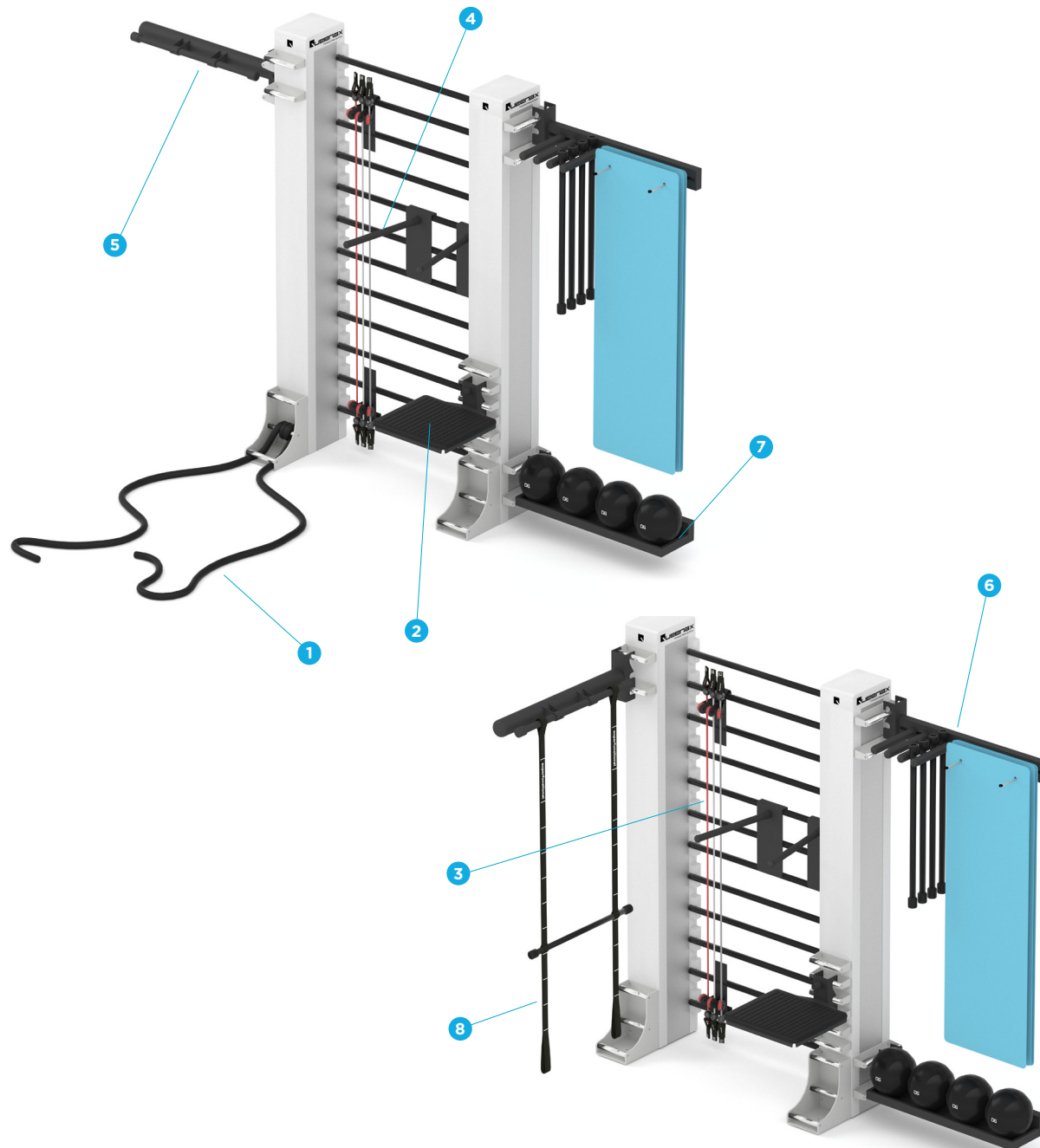


W175 2D Wall Solution

The Queenax™ Wall Solution takes advantage of space that's often underutilized or overlooked in most facilities: the space along the walls. The Wall Solution allows facility owners to reap the benefits of functional and suspended body weight training while also preserving the open floor space they need for other group exercises. Available in a variety of lengths and enhanced with a broad range of training accessories and storage solutions, the Wall Solution is ideal for facilities desiring to dedicate space and a higher level of organization to functional training.

1. BATTLE ROPE (x1)
2. PLYOMETRIC PLATFORM (x1)
3. STRONG++ (x1)
4. MOBILE PARALLELS (x1)
5. REMOVABLE TRAINING BAR (x1)
6. LATERAL MAT & BAR SHELF (x1)
7. LATERAL UNIVERSAL SHELF (x1)
8. SUPERFUNCTIONAL (x1)
9. UP STRENGTH (2 PCS) (x1) NOT PICTURED
10. HANDLE EXTENSION (2 PCS) (x2) NOT PICTURED

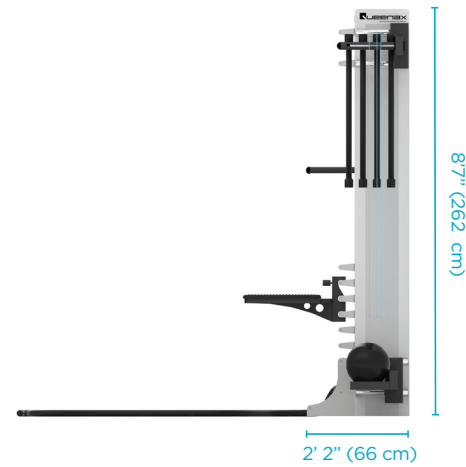
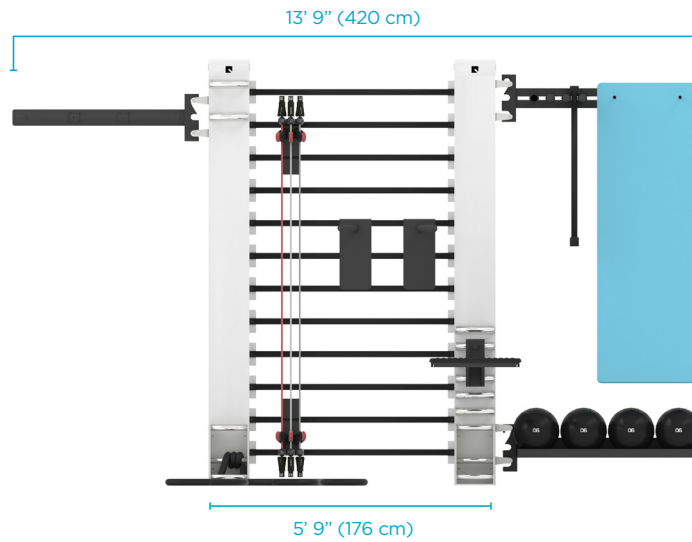
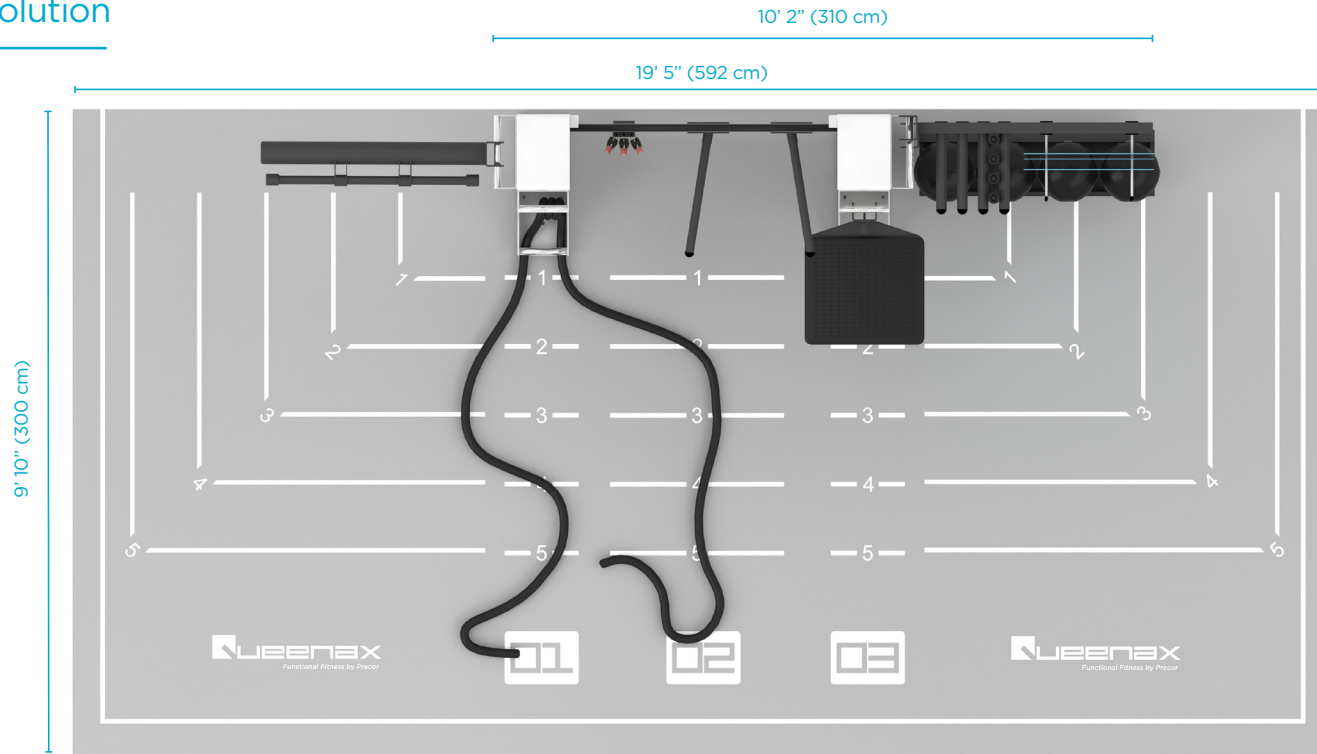
**Extra Training Bars, Medicine Balls and Studio Mats not included.*



- 1 Suspension Stations
- 3 Total Functional & Suspension Stations

Learn more at [precor.com/queenax](https://www.precor.com/queenax)

W175 2D Wall Solution



Learn more at precor.com/queenax